



DB PROGETTI SRL

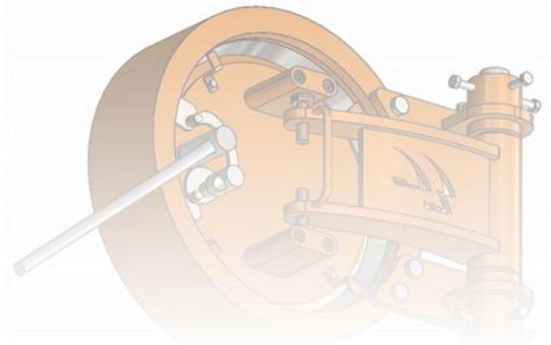
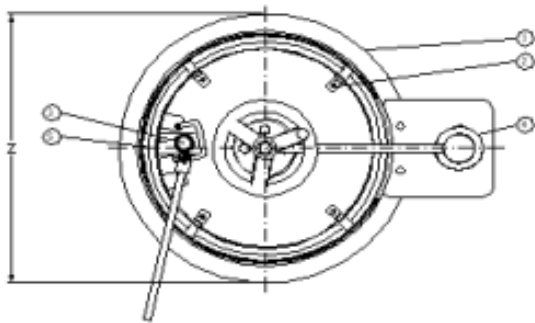
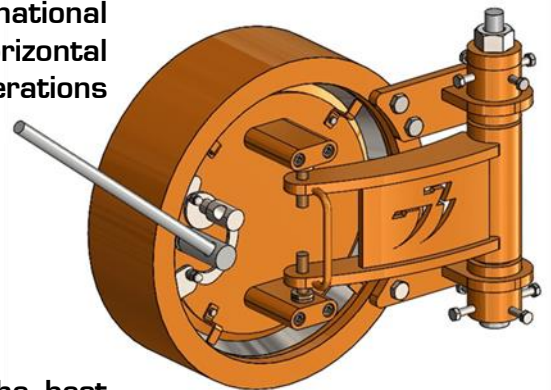
Quick Opening & Actuating Closures

DB RINGLOCK

DB PROGETTI designs and produces Quick Opening / Actuating Closures (QOC / QAC), following international regulations, for equipment with vertical or horizontal configuration, that require opening and closing operations in reduced time, such as:

- Pig traps
- Filters
- Scrubbers
- Manways openings

Our technicians are available to help you select the best solution for your specific needs.



DB RINGLOCK has the fastest opening/closing mechanism, thanks to a resilient metal ring which is interposed between the hub and the closed cover.

The opening and closing of the ring are performed through a simple hand lever, with minimum effort by the operator.

The design and 3D simulation of the hinge allow the quick and easy unlocking and opening of the closure.

The seal is guaranteed by a special custom-made lip seal, to adapt to different fluids and design temperatures.

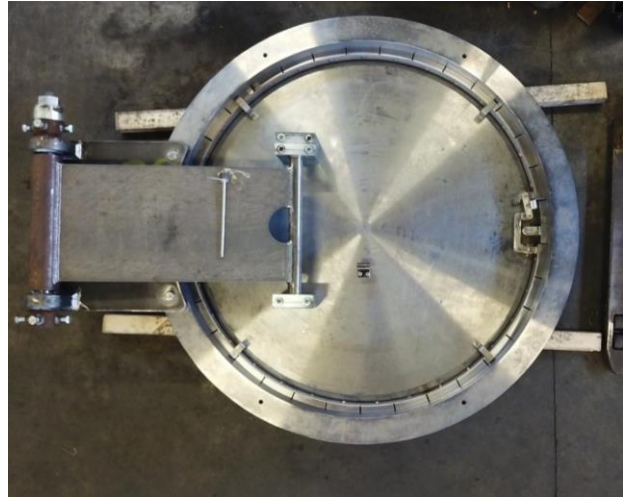
The operator safety is guaranteed by the safety valve with a false ring, which makes it possible to lock the ring once the cover is closed.

DB RINGLOCK

DB RINGLOCK is available in both horizontal (with hinge support) and vertical (with davit support) versions and hydraulic system on request.

The available pressure range goes from ASME 150# to 2500# and API 10000, and the dimension goes from 4" up to 64", the temperature goes from -50° to 650°.

The QOC can be made in carbon steel, stainless steel and alloy materials.



TECHNICAL DATA

DIMENSIONS	FROM 4" UP TO 64" (other sizes available upon request)
RATING	FROM 150# UP TO 2500# / API 10000
CONSTRUCTION MATERIAL	CARBON STEEL / STAINLESS STEEL / ALLOY
HINGE ORIENTATION	RIGHT OR LEFT
FINAL COATING	ANTI-RUST
SEAL TYPE	LIP SEAL (PUR / HNBR / VITON)
SECURITY SYSTEM	SAFETY VALVE AS PER ASME VIII DIV.1 UG-35 AND ASME VIII DIVISION 2 PARA. 4.8

OPTIONALS ON REQUEST

FINAL COATING ACCORDING TO CUSTOMERS' SPECIFICATIONS

PARTIAL ASME STAMP INSPECTION

KEY INTERLOCK SYSTEM

HYDRAULIC TEST

WELD OVERLAY

HYDRAULIC LIFTING OPENING AVAILABLE FOR VERTICAL TYPE



**Pressure vessel engineering
Filtration solutions for Oil&Gas**



TECHNICAL DATA SHEET QUICK OPENING CLOSURE

General Information

1 Q.O.C. Type	DB RINGLOCK
2 Product DB code Number	XX-XXX-DBRL-H-XX

Design data

Closure Design Code:	
3 Asme VIII div.1	
4 Asme VIII div.2	
5 AD2000	
6 EN 13445	
7 F.E.A.	
8 Stamp ASME Partial	Optional
9 Closure Design Pressure	from rating 150# to API 10000
10 Closure Design Temperature (min/max)	min. 196 to 650 °C
11 Closure Hydrostatic Test Pressure	Optional
12 Vessel Orientation	Vertical/Horizontal

Vessel Design data

13 Vessel o.d.	see table
14 Corrosion Allowance	tbd
15 Closure Bore	full bore
16 Vessel Wall Thickness	tbd
17 NACE Compliance (MR0175/ISO15156)	Optional

Materials of Construction

18 Hub Material	c.s./s.s./Alloy
19 Door Material	c.s./s.s./Alloy
20 Door Seal	STD. DB Progetti
21 Safety device	c.s./s.s./Alloy
22 Hinge/Davit	c.s./s.s
23 Locking band	s.s/Alloy
24 Pressure Warning Screw Material	s.s./Alloy
25 Pressure Warning Screw Seal Material	s.s./Alloy

AED Optional

Certification BS EN 10204

26 pressure parts 3.1	included
27 pressure parts 3.2	Optional

Non-Destructive Testing

28 Dye Penetrant on Weld End Preparation	Optional
29 Ultrasonic Examination - Hub	Optional
30 Ultrasonic Examination - Door	Optional

Closure Painting/finishing

31 Antirust	included	Client spc.	Optional Nickel plated	Optional
-------------	----------	--------------------	------------------------	----------

Other Requirements

32 Inspection Requirements	DB Standard	included	Client optional	3rd part Optional	A.I. Optional
33 Weld Overlay Material	Optional				
34 Weld Overlay Thickness	tbd				
35 M.D.R. language	English				
36 Hinge orientation	tbd				
37 Lifting lugs	from 20"				
38 Davit with Vertical lifting hydraulic device	Optional				
39 Hinge with opening/closing hydraulic device	Optional				
40 Key interlock system	Optional				
41 Safety device UG35	included				
42 Safety device UG35 with no bleed	Optional				

DB RINGLOCK HORIZONTAL TYPE QOC - APPROX. WEIGHT AND DIMENSIONS

RATING 600#	Nominal size (In.)	O.D. (mm)	Z (mm)	Y (mm)	Aprox.Weight (Kg)
	8"	219,1	350	350	80
	10"	273	380	380	90
	12"	323,8	455	420	120
	14"	355,6	465	420	120
	16"	406,4	550	430	250
	18"	457,2	620	430	550
	20"	508	665	480	450
	22"	558,8	725	480	750
	24"	609,6	810	570	600
	28"	711,2	885	570	800
	30"	762	940	570	1100
	32"	812,8	980	570	1200
	34"	863,6	1080	620	1600
	36"	914,4	1135	630	1700
	38"	965,2	1190	630	1900
	42"	1066,8	1290	660	2400
50"	1270	1508	720	2900	
52"	1320,8	1550	740	3200	
over 52" dimension and weight tbd					

