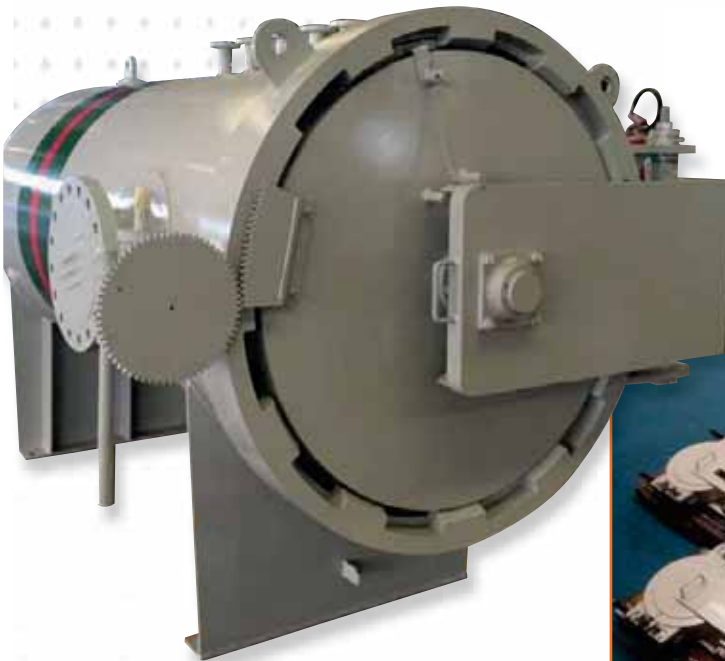


QUICK OPENING CLOSURES

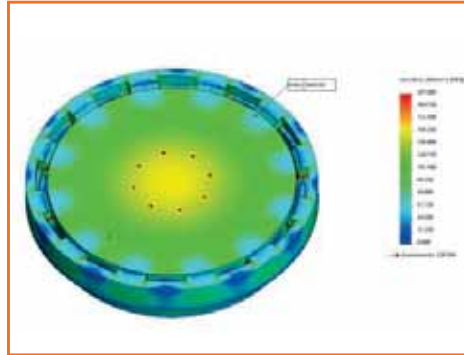
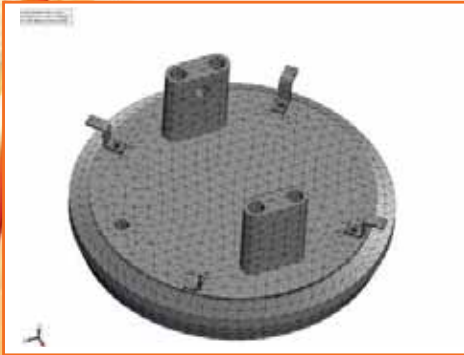
DB Progetti is able to design and manufacture Quick Opening Closures in accordance with ASME VIII Div. 1 App. 24 and special FEA design, from 4" to 80", with a pressure range that goes from class 150# to 2500# / API 10000, carbon steel, stainless steel, alloy materials and overlay welding materials.

DB Progetti has developed two new products:

DB SPEEDLOCK and DB RINGLOCK, which provide both a practical and economical solution for horizontal and vertical pressure equipment requiring a fast internal access as Scrapper and pig Traps, Filters, Scrubbers, Manways openings.



DB Speedlock and DB Ringlock calculation is performed using the Finite Element Analysis (F.E.A.) according to ASME VIII div.2 part.5, EN 13445-3 and PD 5500, and meets the requirements of UG-35 ASME VIII div.1.

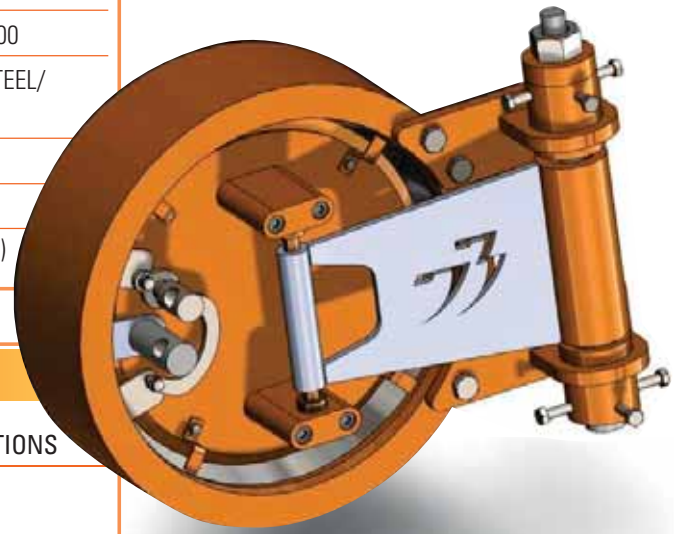


TECHNICAL DATA

DIMENSIONS	FROM 4" UP TO 80"
CLASS	FROM 150# TO 2500# / API 10000
CONSTRUCTION MATERIAL	CARBON STEEL / STAINLESS STEEL/ ALLOY MATERIALS
HINGE ORIENTATION	RIGHT OR LEFT
FINAL COATING	NATURAL FINISH
SEAL TYPE	LIP SEAL (PUR / HNBR / VITON)

OPTIONAL ON REQUEST

- FINAL COATING ACCORDING TO CUSTOMERS' SPECIFICATIONS
(FOR DIAMETERS OVER 24")
- OPENING WITH GERBOX / HYDRAULIC / PNEUMATIC
- PARTIAL ASME STAMP INSPECTION
- INTERLOCK SYSTEM
- HYDRAULIC TEST



Operational site:
Via Brallo,19 - 27010 Siziano (PV)
Ph. +39 0382 955208 - Fax +39 0382 1852131
sales@db-progetti.it



PIG SIGNALLER AND JACKING DEVICE

Pig signallers are used to provide confirmation of the movement of pipeline pigs through a pipeline.

They are normally positioned at both the pig launching and pig receiving stations and at key points along a pipeline. Its particular design makes it able to operate at 360° from any angle, thus making it impossible to mount in an incorrect position.

The seal system allows the extraction of the pig signaller with the pig trap still under pressure.



Intrusive Omni-Directional Pig Signaller 2" 600# Adjustable Pig Signaller with spool piece, wetted parts in 316L



Jacking device suitable to remove pig signaller with pipeline still under pressure.

PIG SIGNALLER AND JACKING DEVICE

TECHNICAL DATA	
PRESSURE RATING	FROM ANSI #150 TO #2500 FLANGES FINISH RF / RTJ
AVAILABLE CONNECTION TYPES	WELDING BOSS CONNECTION FLANGED CONNECTION FLANGED WITH ISOLATION VALVE FOR REMOVAL UNDER PRESSURE
PIPELINE DIAMETERS	2" AND ABOVE
DESIGN RULES	ASME VIII Div.1 NACE COMPLIANT TO MR0175/ISO 15156
BODY MATERIALS	WELDING BOSS AND FLANGES ASTM A350 LF2 OR F316 / 316L
SEAL MATERIALS	NITRILE VITON PTFE
WET PARTS MATERIALS	SS 316L / SDSS / INCOLOY
BOLTS MATERIALS	A193 B7 / A193 B8
STANDARD PAINTING	PRIMER 75 μ (C.S. PARTS)



DBPROGETTI

Operational site:
Via Brallo,19 - 27010 Siziano (PV)
Ph. +39 0382 955208 - Fax +39 0382 1852131
sales@db-progetti.it



Follow us on
www.db-progetti.it



FILTRATION

A decade-long experience enables our technicians to achieve excellent results in designing and manufacturing of equipment. Knowledge of the process allows us to recommend the right solution for gas separation and filtration. The range of equipment that DB Progetti is able to provide goes from the internal parts of the filter (plate cartridges including filter elements, vane pack separators, cyclones bundles and demister separators) to the production of the whole filter.

DUPLEX

Duplex filter completely made in SS316L for Hydraulic and Synthetic oil filtering system.

The filter is designed according to Asme VIII div.1 last ed. and meets all international codes requirements.



SYNTHETIC / MINERAL OIL MIST ELIMINATOR

DB Progetti has developed a new product to remove oil mist guaranteeing a high efficiency of separation.

The coalescer oil mist eliminator is designed to remove vapours of the synthetic/mineral oil and to ensure high performances on the separation of oil emissions from the vent of rotating machines during the extraction..



Detail of three-way valve for maintenance



DBPROGETTI

Operational site:

Via Brallo,19 - 27010 Siziano (PV)

Ph. +39 0382 955208 - Fax +39 0382 1852131

sales@db-progetti.it



Follow us on
www.db-progetti.it



FILTRATION

A decade-long experience enables our technicians to achieve excellent results in designing and manufacturing of equipment. Knowledge of the process allows us to recommend the right solution for gas separation and filtration. The range of equipment that DB Progetti is able to provide goes from the internal parts of the filter (plate cartridges including filter elements, vane pack separators, cyclones bundles and demister separators) to the production of the whole filter.

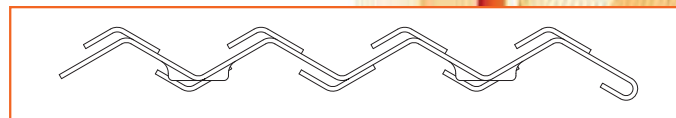
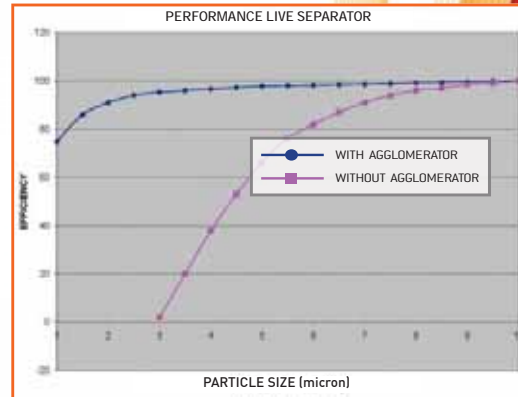
VANE PACK

Vane pack separator is the ideal solution to remove liquid particles from a gaseous stream, allowing a high separation efficiency combined with a constant minimum pressure drop, with no maintenance.



EFFICIENCY ACCORDING TO PARTICLES SIZE

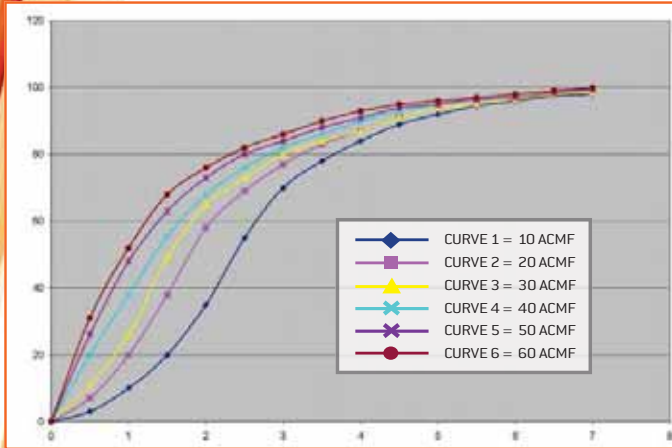
Efficiency particle size:
> 8-10 microns 100
Please find below the Efficiency Curve



Profile of vane pack liquid particles from a gaseous stream

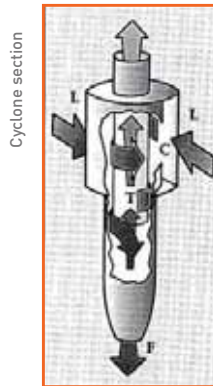
MINI CYCLONES

The cyclone separator is the ideal solution to remove solid and liquid particles from a gaseous stream, allowing a high separation efficiency combined with a constant pressure drop with no maintenance.



EFFICIENCY ACCORDING TO PARTICLES SIZE

Efficiency particle size:
> 8 microns 100%
Please find below the Efficiency Curve



DBPROGETTI

Operational site:

Via Brallo, 19 - 27010 Siziano (PV)

Ph. +39 0382 955208 - Fax +39 0382 1852131
sales@db-progetti.it



DB Progetti makes use of certified software with regular license and maintenance subscription, furthermore, every calculation software is validated according to reference rules, and is updated according to the last edition of calculation codes.

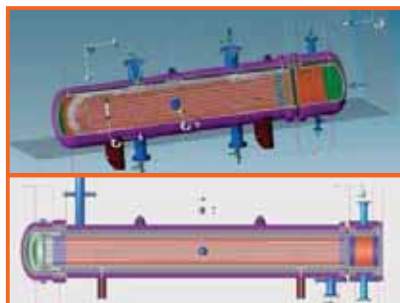
Since 2012 we cooperate with *Intergraph Italy* as training centre for *PV Elite and Caesar II* software.

SOFTWARE:

- Pv Elite (Pressure equipments calculation)
- MT comp (Pressure equipments calculation)
- CEI DesignCalcs (Pressure equipments calculation)
- Pro_sap (Structural calculation)
- Caesar (Piping flexibility calculation)
- Cad worx (3D piping e isometrics)
- Autocad (Construction drawings and 2d drawings)
- Solid works/Cosmos (3d modeling and FEA calculations)
- Autopipe Bentley

TECHNICAL ADVICE:

- Support for the achievement of ISO9000 and ASME STAMP "U" third-party testing
- Italy testing agency TUV certified according to PED 2014/68/ UE and Material certification 3.2



2D and 3D technical drawings

Solid Model

Layout and GA drawing

Construction drawing

Pressure vessel engineering

Piping stress analysis

Finite Element Analysis

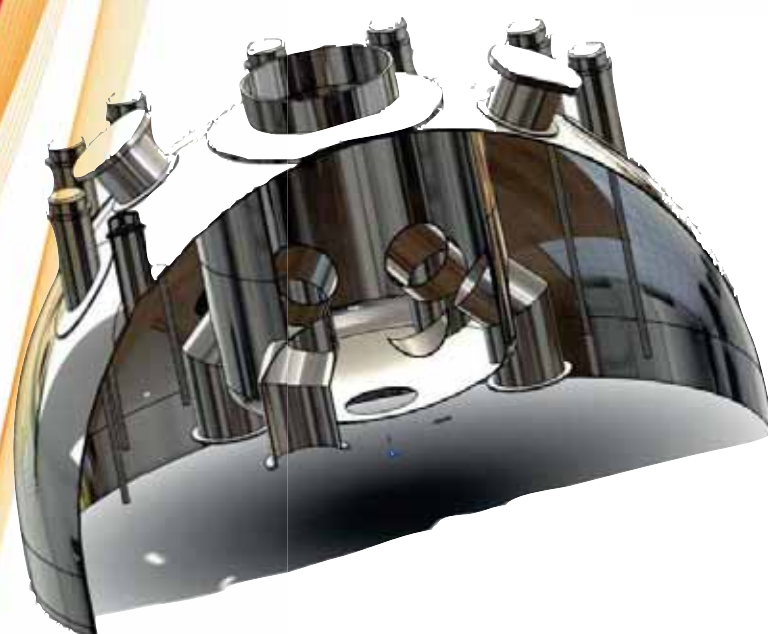
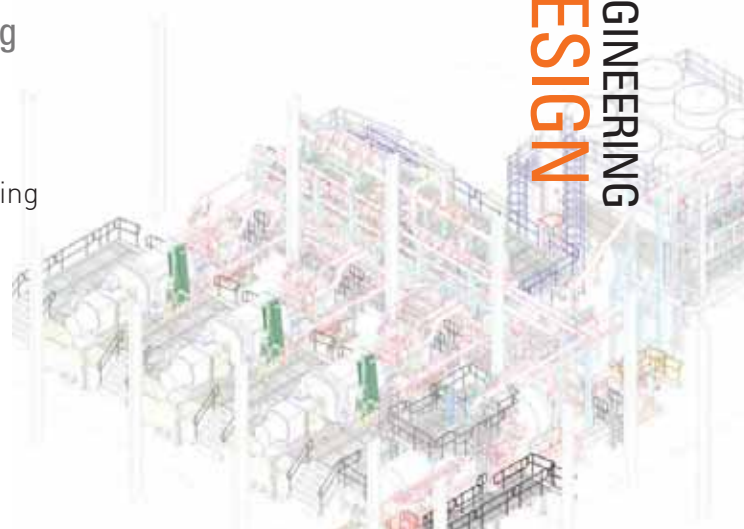
ASME VIII Div. 1/Div. 2

ASME I Power Boiler

ASME B31.1/31.3

EN 13445-5 - PD 5500

GOST 52857



DBPROGETTI

Operational site:

Via Brallo, 19 - 27010 Siziano (PV)

Ph. +39 0382 955208 - Fax +39 0382 1852131

sales@db-progetti.it

Follow us on
www.db-progetti.it

